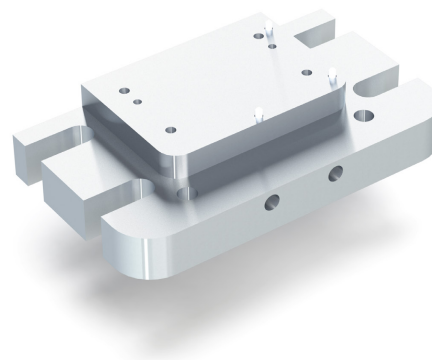


Heatsink for HHL

The HHL heatsink is a water-cooling circuit that can be used to mount the HHL and ensures it operates with ideal thermal performances. While the HHL can be mounted on third-party or proprietary heatsinks (including passive heatsinks) the performances are only guaranteed if the heatsink allows keeping the backplate at +20°C with a 0.1°C/W thermal resistance.



Key Features

- Compatible with Alpes High Heat Load Housing
- Compact
- Requires no electrical input
- Uses running water in closed or open circuit

Key Applications

- Laboratory cooling
- Field cooling



Specifications

PARAMETER NAME	PARAMETER VALUE	NOTE
Width	90 mm	
Length	52 mm	
Height	18 mm	
Water connector screw diameter	4.2 mm	M5
Compatible tubing outer diameter	6 mm	Tubing not included, plastic tubing compatible
HHL holder screws	M3×6	Included (4×)
Required water flow	> 0.3 l/min	